

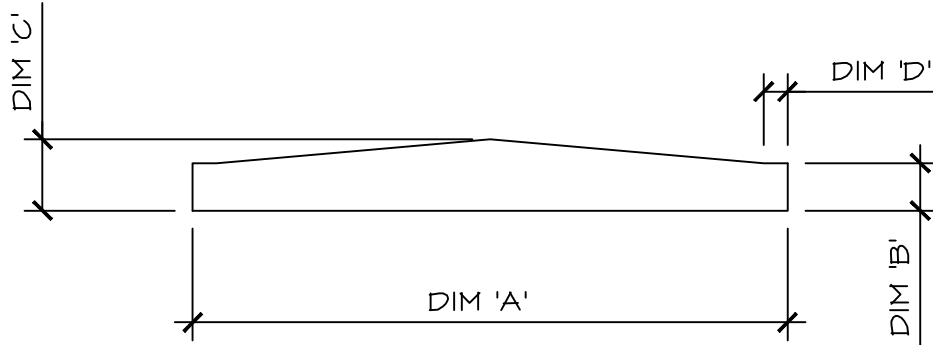
TRISTAR BRICK AND BLOCK  
3A - 33790 INDUSTRIAL AVE., ABBOTSFORD B.C.  
PH: (604) 859-3651 FX: (604) 859-3638

PRECAST  
STOCK & CUSTOM  
SILLS, COPINGS,  
POST CAPS & LINTELS

FOR CUSTOM PRICING, PLEASE CONTACT THE OFFICE

FILE UPDATED: JULY 12, 2011

TRISTAR BRICK AND BLOCK  
 3A - 33790 INDUSTRIAL AVE., ABBOTSFORD B.C.  
 PH: (604) 859-3651 FX: (604) 859-3638



STOCK COPING 003				
#	DIM 'A'	DIM 'B'	DIM 'C'	DIM 'D'
AA	18"	2"	3"	1"
BB	16"	2"	3"	1"
CC	14"	2"	3"	1"
DD	12"	2"	3"	1"
EE	10"	2"	3"	1"

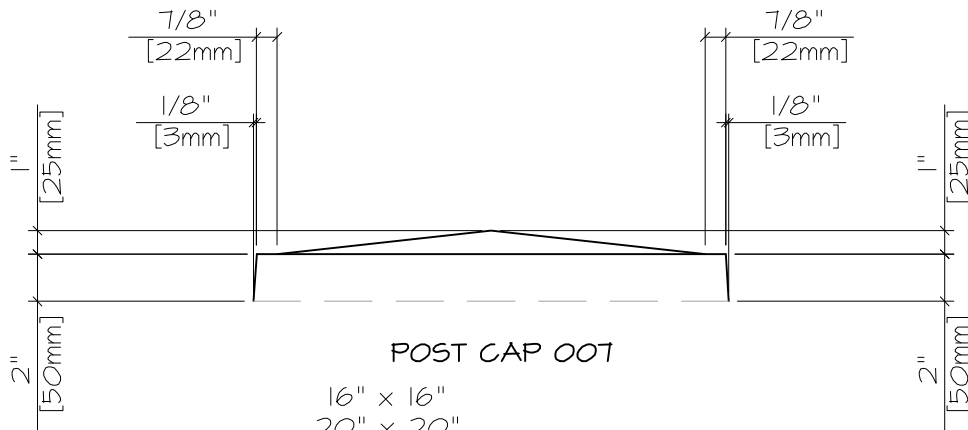
FILE UPDATED: JULY 12, 2011

SCALE:  
 1/2" = 1'-0"

STOCK COPING

1  
 A

TRISTAR BRICK AND BLOCK  
3A - 33790 INDUSTRIAL AVE., ABBOTSFORD B.C.  
PH: (604) 859-3651 FX: (604) 859-3638



POST CAP 001

- 16" x 16"
- 20" x 20"
- 24" x 24"
- 27" x 27"
- 32" x 32"
- 35" x 35"
- 38" x 38"

FILE UPDATED: JUNE 19, 2011

SCALE:  
1 1/2" = 1'-0"

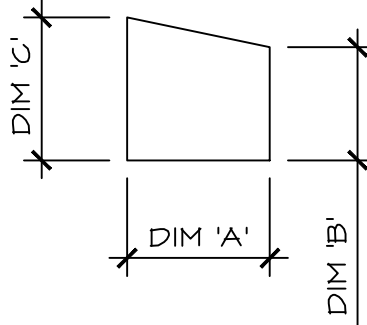
STOCK POST CAPS

2  
A

# TRISTAR BRICK AND BLOCK

3A - 33790 INDUSTRIAL AVE., ABBOTSFORD B.C.

PH: (604) 859-3651 FX: (604) 859-3638



SILL 001			
#	DIM 'A'	DIM 'B'	DIM 'C'
AA	20 7/8"	2 15/16"	3 9/16"
BB	15 1/2"	3 1/2"	4"
CC	12"	2"	3"
DD	11 1/2"	3 1/2"	4"
EE	10"	4 3/4"	6"
FF	9 1/2"	2"	3"
GG	9"	3 1/2"	4"
HH	7 1/2"	4 5/16"	4 1/2"
JJ	7 1/2"	4 1/2"	4 1/4"
KK	7 1/2"	3 1/2"	4"
LL	7"	3 1/2"	4 1/2"
MM	6"	5 1/4"	6"
NN	6"	4 3/4"	6"
OO	5 13/16"	2"	2 1/2"
PP	4 1/2"	7 5/8"	8"
QQ	4 1/2"	5 1/4"	6"
RR	4"	5 1/4"	6"
SS	3 3/4"	5"	6"

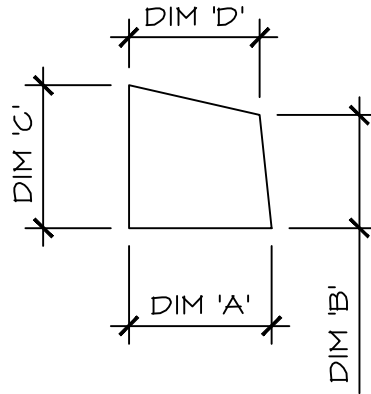
FILE UPDATED: JULY 12, 2011

SCALE:  
1/2" = 1'-0"

CUSTOM SILL PIECES

3  
A

TRISTAR BRICK AND BLOCK  
 3A - 33790 INDUSTRIAL AVE., ABBOTSFORD B.C.  
 PH: (604) 859-3651 FX: (604) 859-3638



SILL 002				
#	DIM 'A'	DIM 'B'	DIM 'C'	DIM 'D'
AA	22 1/4"	5 1/2"	6"	22"
BB	21 1/4"	5"	6"	21"
CC	14 3/4"	5"	6"	14 1/2"
DD	13 1/2"	2"	2 1/2"	13 1/4"
EE	9 1/4"	5 1/2"	6"	9"
FF	7 7/8"	2"	3"	7 3/4"
GG	7 3/4"	3 5/8"	3 5/8"	7 5/8"

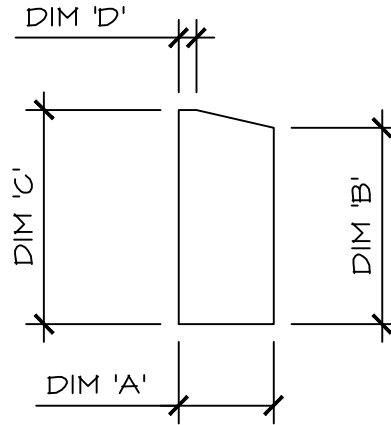
FILE UPDATED: JULY 12, 2011

SCALE:  
 1/2" = 1'-0"

CUSTOM SILL PIECES

4  
 A

TRISTAR BRICK AND BLOCK  
 3A - 33790 INDUSTRIAL AVE., ABBOTSFORD B.C.  
 PH: (604) 859-3651 FX: (604) 859-3638



SILL 003				
#	DIM 'A'	DIM 'B'	DIM 'C'	DIM 'D'
AA	10"	5 1/2"	7 1/2"	3/4"
BB	9 1/2"	9 7/8"	12"	3/4"
CC	5"	4 1/2"	5 1/2"	1/2"
DD	4"	8 1/4"	9"	3/4"
EE	4"	6 3/4"	7 1/2"	3/4"

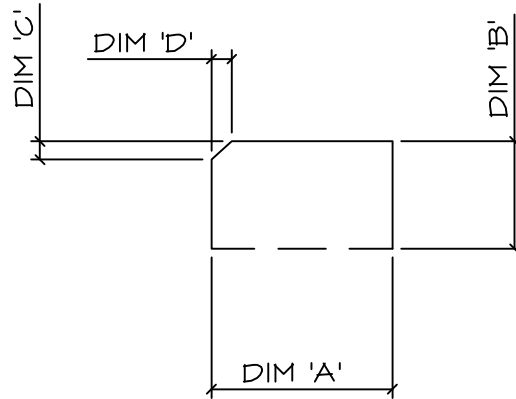
FILE UPDATED: JULY 12, 2011

SCALE:  
 1/2" = 1'-0"

CUSTOM SILL PIECES

5  
 A

TRISTAR BRICK AND BLOCK  
 3A - 33790 INDUSTRIAL AVE., ABBOTSFORD B.C.  
 PH: (604) 859-3651 FX: (604) 859-3638



SILL 004				
#	DIM 'A'	DIM 'B'	DIM 'C'	DIM 'D'
AA	11 5/8"	4 1/2"	1"	1 1/2"
BB	11 3/4"	5 1/2"	1"	1 1/2"
CC	8 1/4"	3 5/8"	3/8"	2 1/4"
DD	7 5/8"	4 1/2"	3/4"	7/8"
EE	7 1/4"	3 5/8"	3/8"	1 3/8"
FF	7 1/4"	3"	5/8"	1 1/2"
GG	6 1/2"	6"	1"	1"
HH	5"	5 5/8"	1 1/8"	1 1/2"
JJ	4 1/4"	3 3/4"	2 3/4"	1 1/4"
KK	3 3/4"	4"	3/4"	1 3/4"

FILE UPDATED: JULY 12, 2011

SCALE:  
 1/2" = 1'-0"

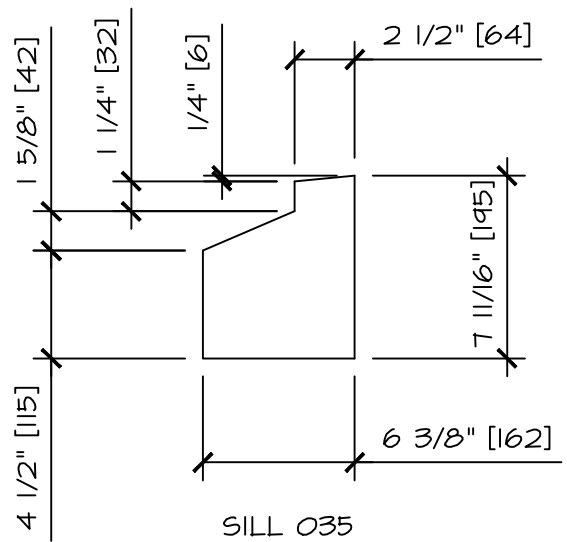
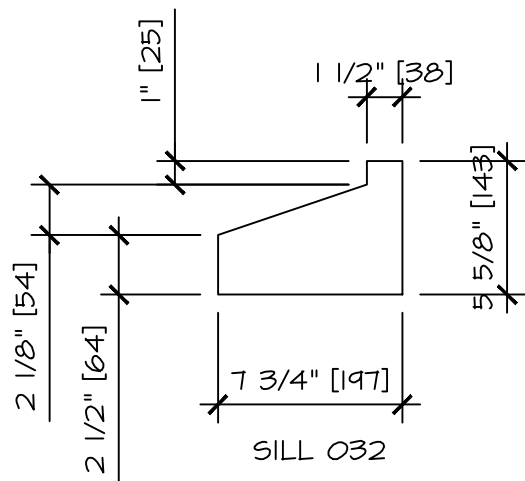
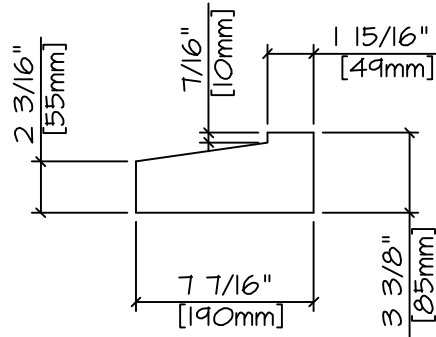
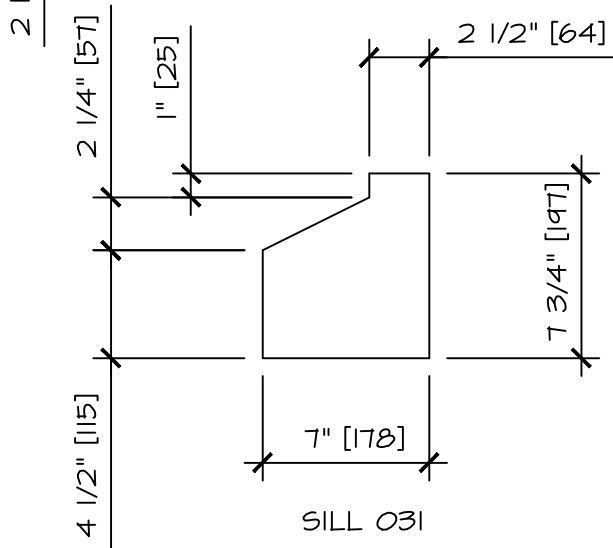
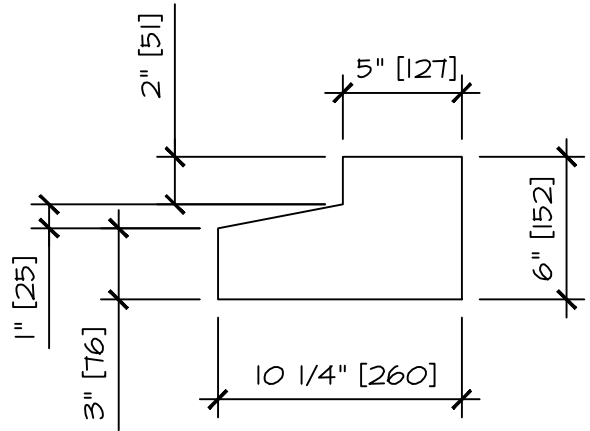
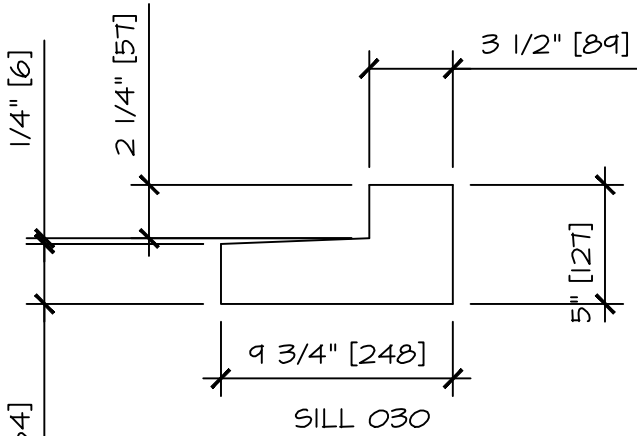
CUSTOM SILL PIECES

6  
 A

# TRISTAR BRICK AND BLOCK

3A - 33790 INDUSTRIAL AVE., ABBOTSFORD B.C.

PH: (604) 859-3651 FX: (604) 859-3638



FILE UPDATED: JULY 12, 2011

SCALE:  
1/2" = 1'-0"

CUSTOM SILL PIECES

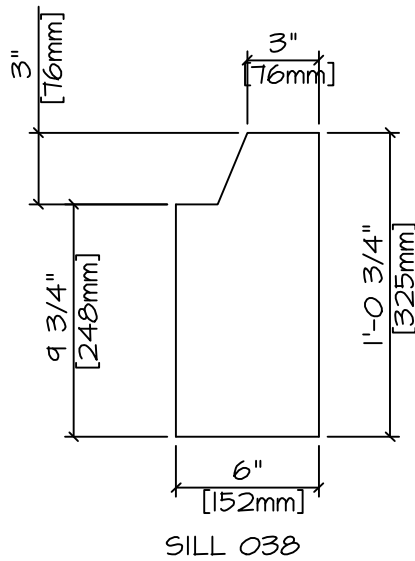
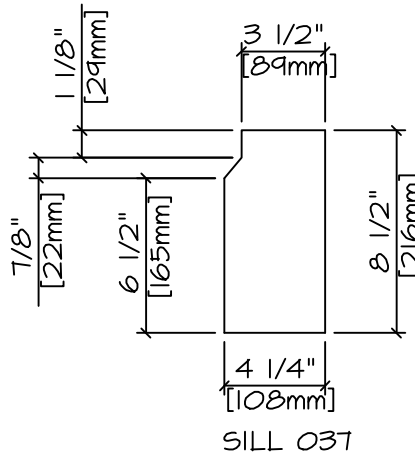
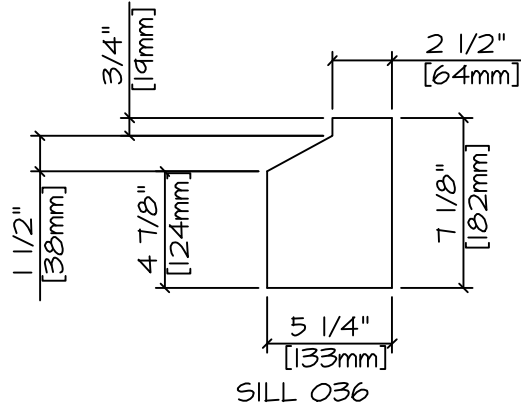
7  
A



TRISTAR BRICK AND BLOCK

3A - 33790 INDUSTRIAL AVE., ABBOTSFORD B.C.

PH: (604) 859-3651 FX: (604) 859-3638



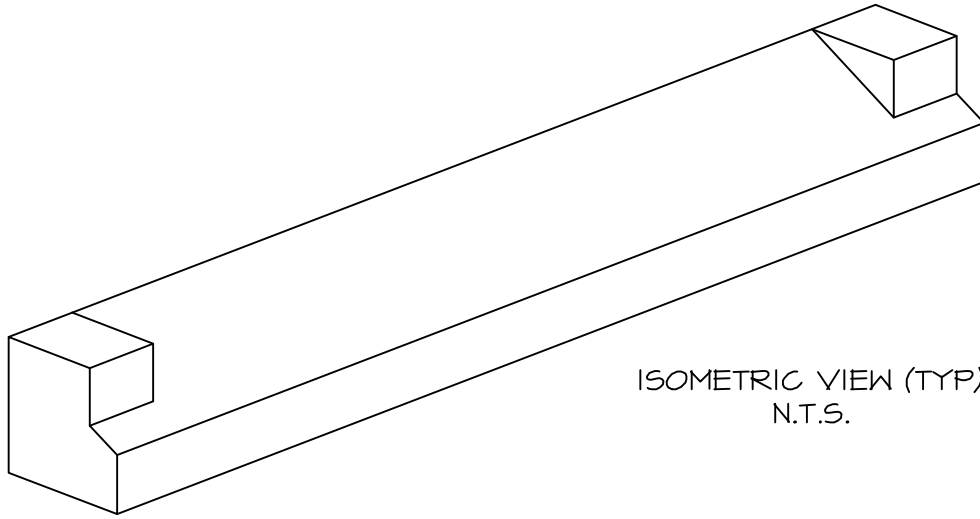
FILE UPDATED: JULY 12, 2011

SCALE:  
1 1/2" = 1'-0"

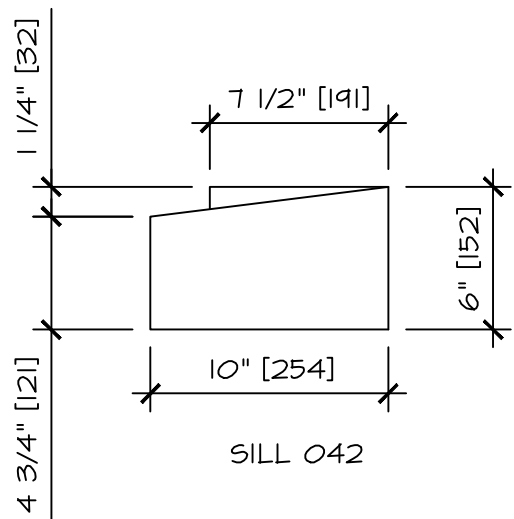
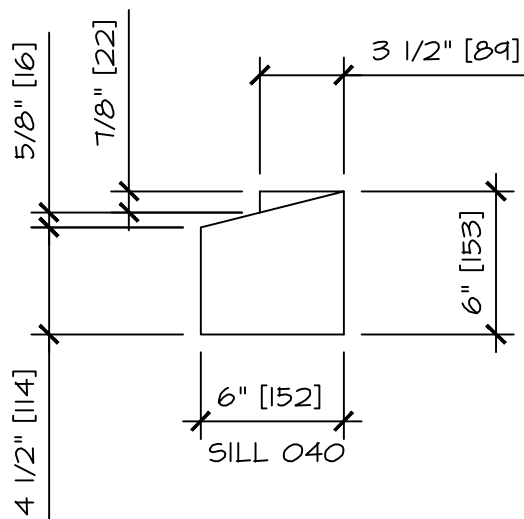
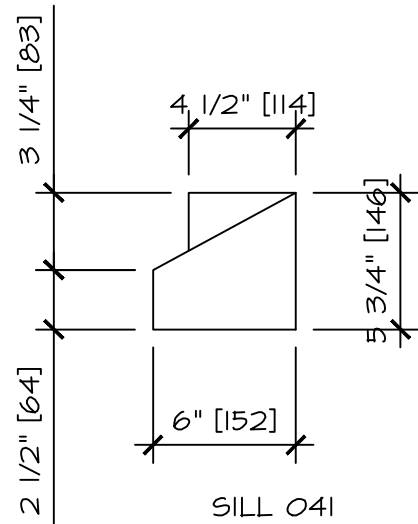
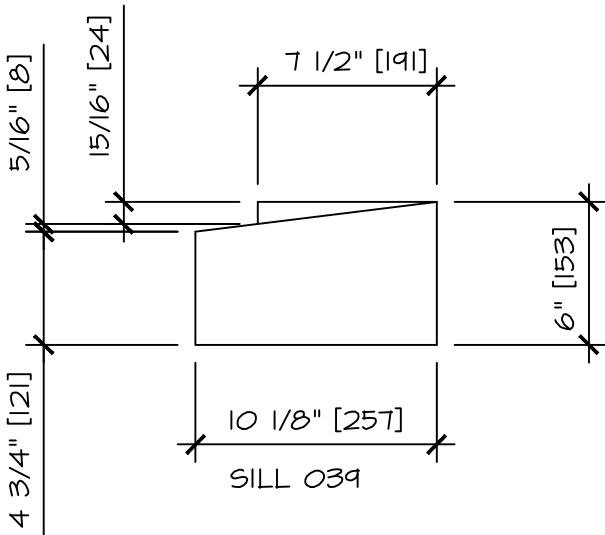
CUSTOM SILL PIECES

8  
A

TRISTAR BRICK AND BLOCK  
 3A - 33790 INDUSTRIAL AVE., ABBOTSFORD B.C.  
 PH: (604) 859-3651 FX: (604) 859-3638



ISOMETRIC VIEW (TYP)  
 N.T.S.



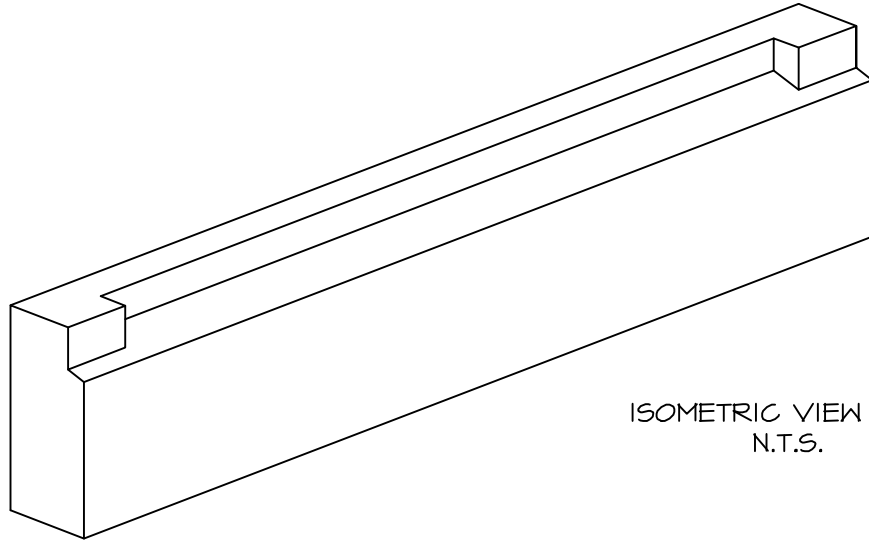
FILE UPDATED: JULY 12, 2011

SCALE:  
 1/2" = 1'-0"

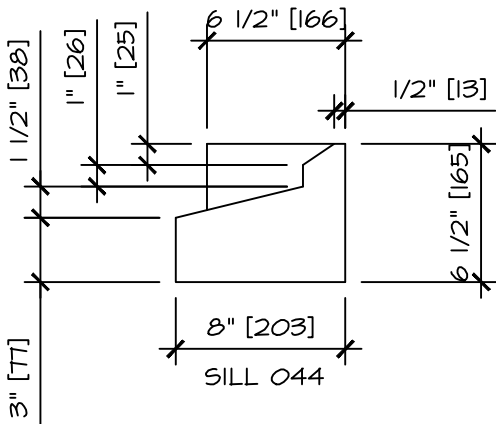
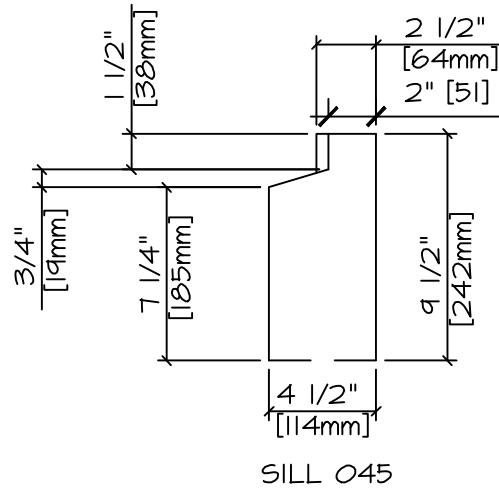
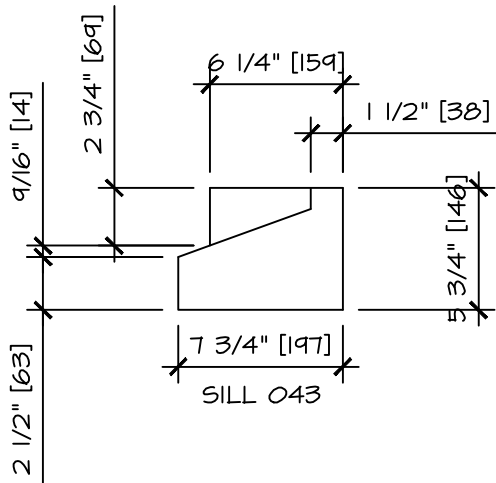
CUSTOM SILL PIECES

9  
 A

TRISTAR BRICK AND BLOCK  
 3A - 33790 INDUSTRIAL AVE., ABBOTSFORD B.C.  
 PH: (604) 859-3651 FX: (604) 859-3638



ISOMETRIC VIEW (TYP)  
 N.T.S.



FILE UPDATED: JULY 12, 2011

SCALE:  
 1/2" = 1'-0"

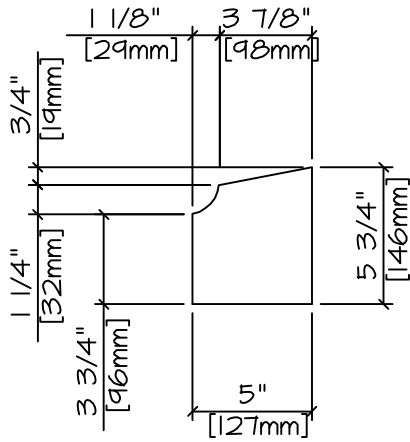
CUSTOM SILL PIECES

10  
 A

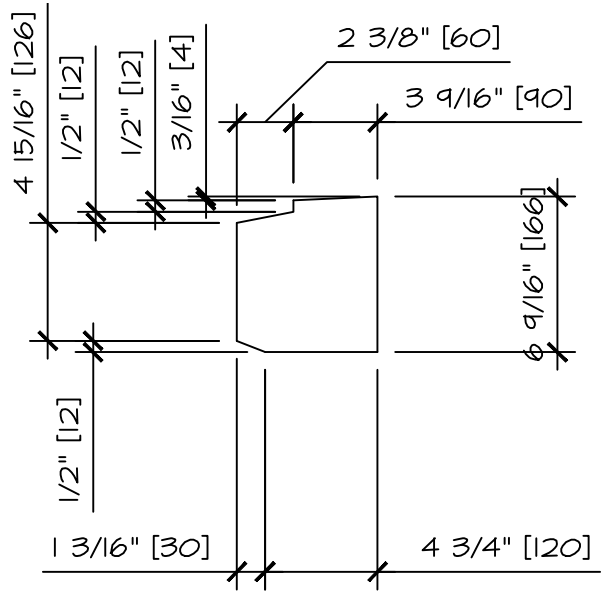
# TRISTAR BRICK AND BLOCK

3A - 33790 INDUSTRIAL AVE., ABBOTSFORD B.C.

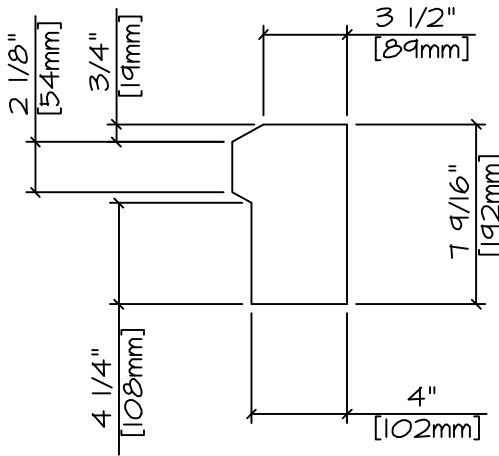
PH: (604) 859-3651 FX: (604) 859-3638



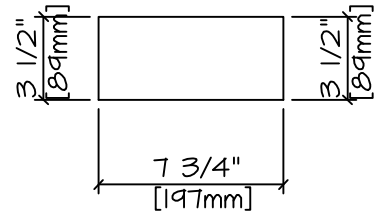
SILL 046



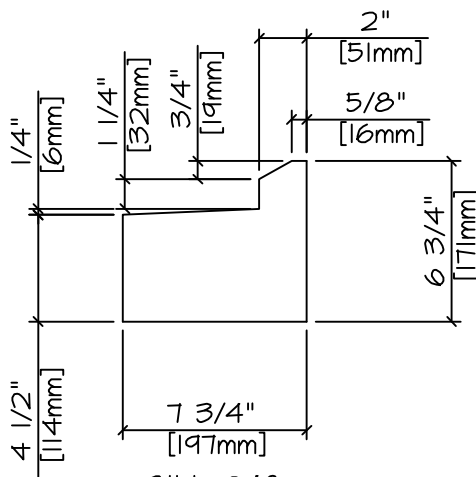
SILL 049



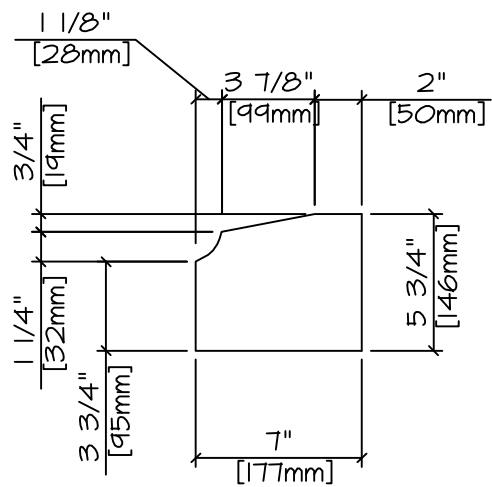
SILL 047



SILL 050



SILL 048



SILL 051

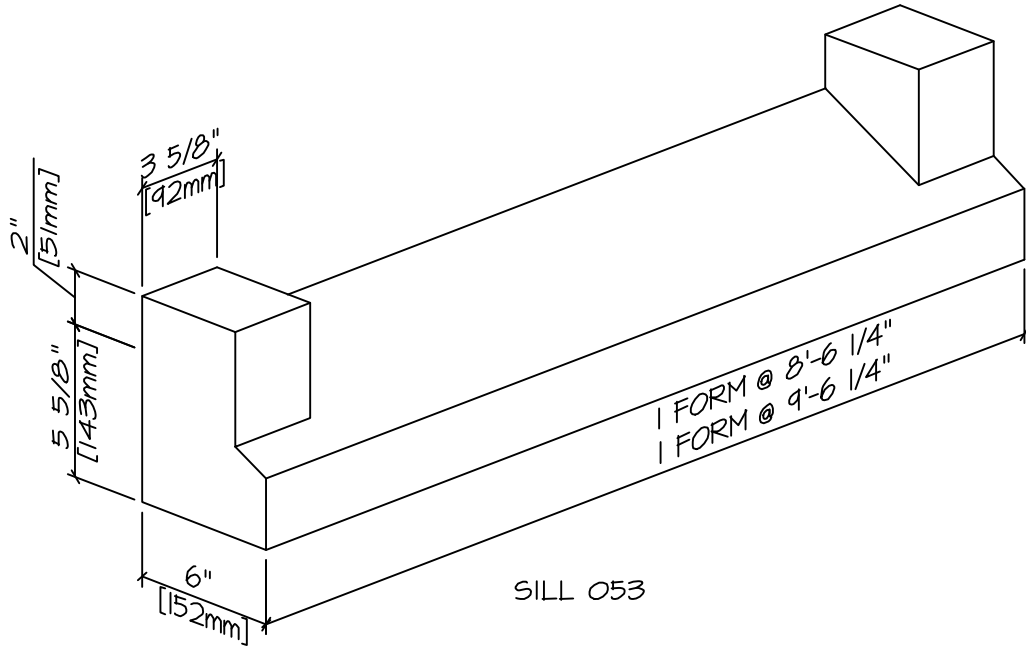
FILE UPDATED: JULY 12, 2011

SCALE:  
1/2" = 1'-0"

CUSTOM SILL PIECES

11  
A

TRISTAR BRICK AND BLOCK  
3A - 33790 INDUSTRIAL AVE., ABBOTSFORD B.C.  
PH: (604) 859-3651 FX: (604) 859-3638



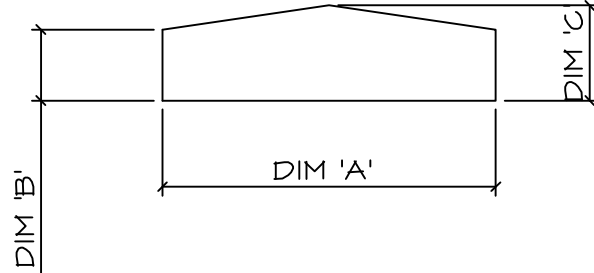
FILE UPDATED: JUNE 19, 2011

SCALE:  
1/2" = 1'-0"

CUSTOM SILL PIECES

12  
A

TRISTAR BRICK AND BLOCK  
 3A - 33790 INDUSTRIAL AVE., ABBOTSFORD B.C.  
 PH: (604) 859-3651 FX: (604) 859-3638



COPING 001			
#	DIM 'A'	DIM 'B'	DIM 'C'
AA	18"	4"	6"
BB	16"	3"	4"
CC	15 1/2"	4"	5 1/2"
DD	15"	5"	8"
EE	14"	3"	4"
FF	14"	2"	3"
GG	13 1/2"	1 1/2"	2 1/2"
HH	12"	3"	4"
JJ	11 3/4"	2"	4"
KK	11 3/4"	2"	2 5/8"
LL	10"	5"	8"
MM	9"	1 1/4"	2 1/2"

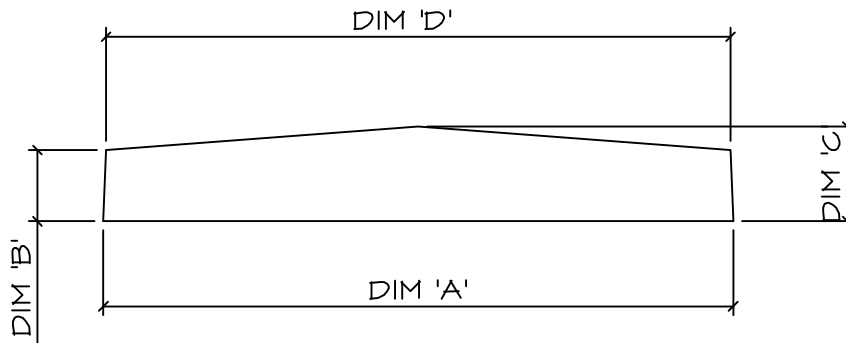
FILE UPDATED: JULY 12, 2011

SCALE:  
 1/2" = 1'-0"

CUSTOM COPING

13  
 A

TRISTAR BRICK AND BLOCK  
 3A - 33790 INDUSTRIAL AVE., ABBOTSFORD B.C.  
 PH: (604) 859-3651 FX: (604) 859-3638



COPING 002 (c/w 45° & 90° BLOCKOUTS)				
#	DIM 'A'	DIM 'B'	DIM 'C'	DIM 'D'
AA	26 1/2"	3"	4"	26 1/4"
BB	18"	3"	4"	17 3/4"
DD	13 15/16"	3"	4"	13 3/4"
EE	16"	3"	4"	15 3/4"

FILE UPDATED: JULY 12, 2011

SCALE:  
 1/2" = 1'-0"

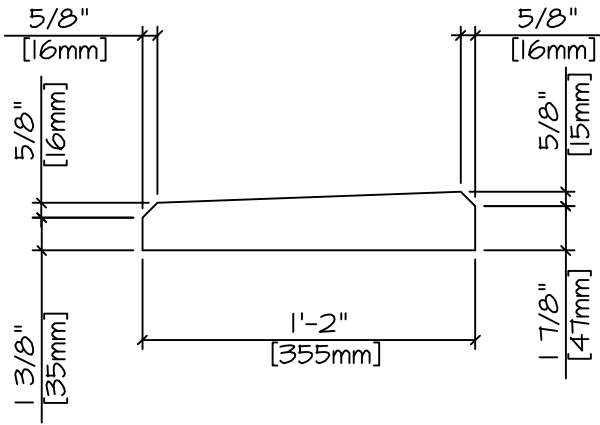
CUSTOM COPING

14  
 A

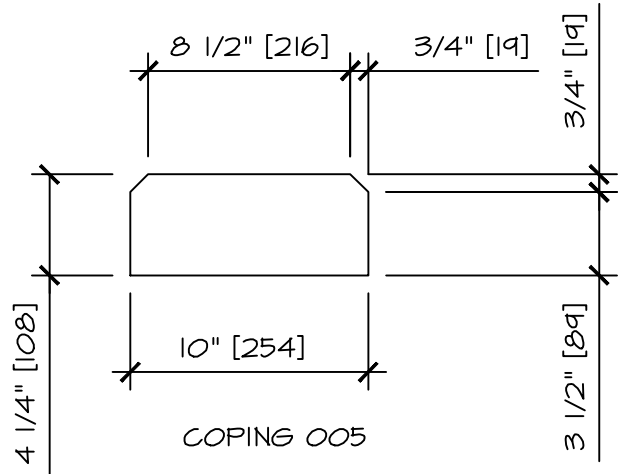
# TRISTAR BRICK AND BLOCK

3A - 33790 INDUSTRIAL AVE., ABBOTSFORD B.C.

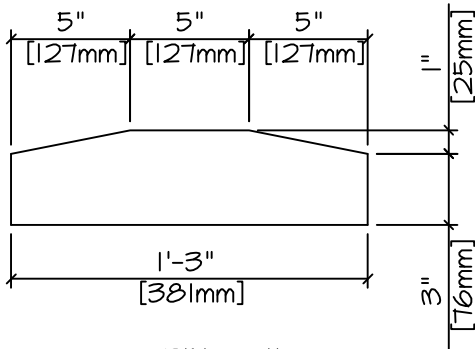
PH: (604) 859-3651 FX: (604) 859-3638



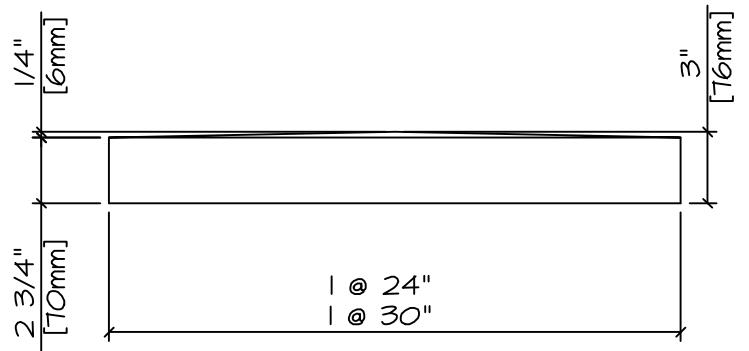
COPING 009



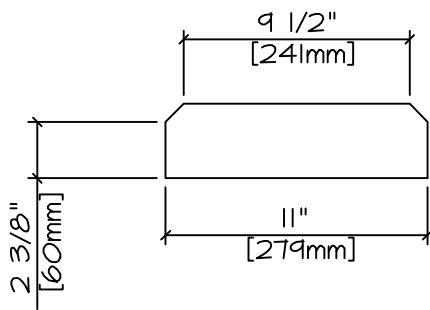
COPING 005



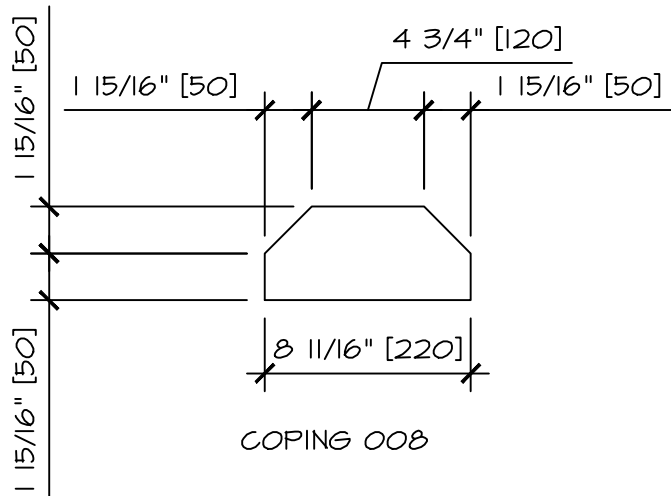
COPING 011



COPING 006



COPING 007



COPING 008

FILE UPDATED: JULY 12, 2011

SCALE:  
1 1/2" = 1'-0"

CUSTOM COPING

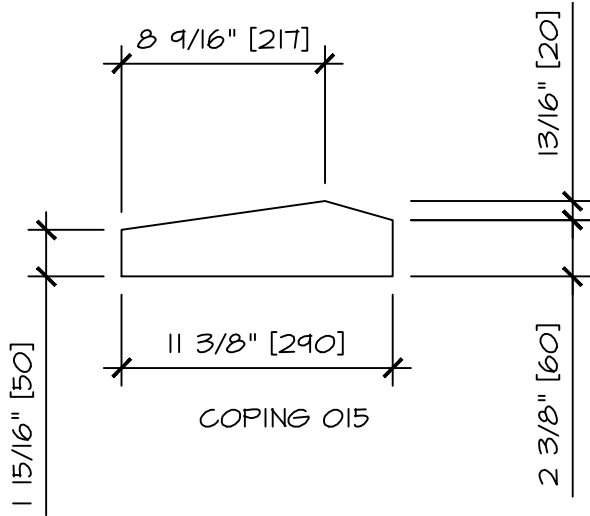
15  
A



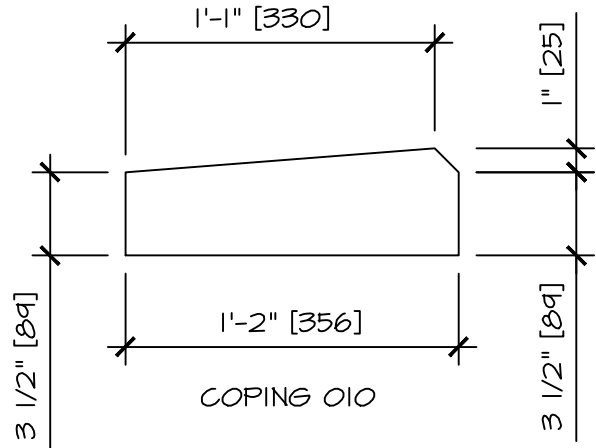
TRISTAR BRICK AND BLOCK

3A - 33790 INDUSTRIAL AVE., ABBOTSFORD B.C.

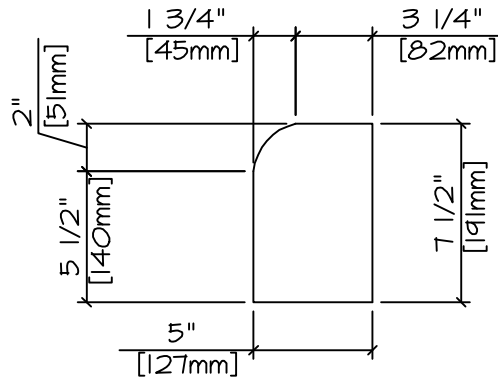
PH: (604) 859-3651 FX: (604) 859-3638



COPING 015



COPING 010



COPING 012

FILE UPDATED: JULY 12, 2011

SCALE:  
1/2" = 1'-0"

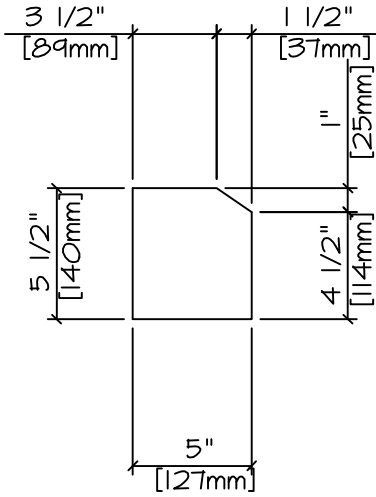
CUSTOM COPING

16  
A

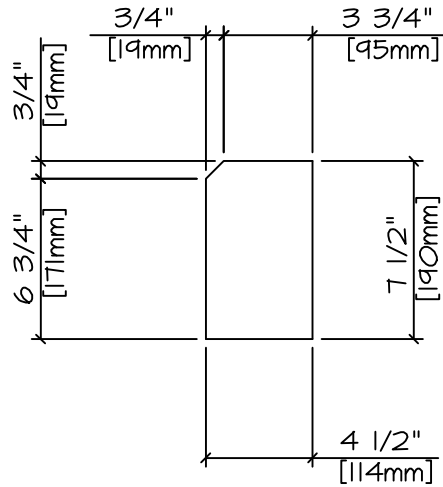
TRISTAR BRICK AND BLOCK

3A - 33790 INDUSTRIAL AVE., ABBOTSFORD B.C.

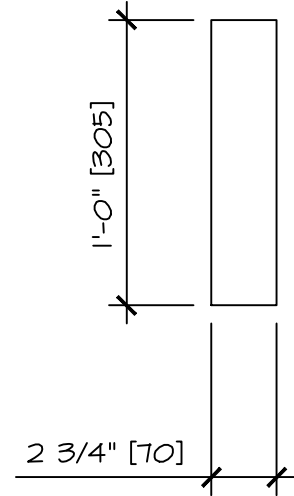
PH: (604) 859-3651 FX: (604) 859-3638



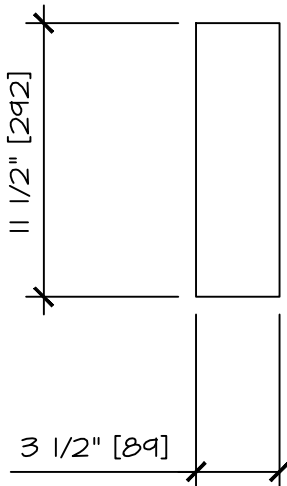
LINTEL 001



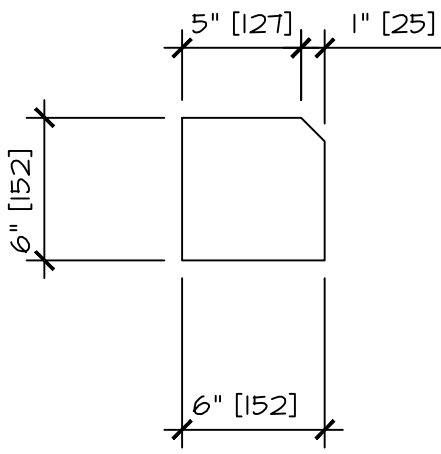
LINTEL 002



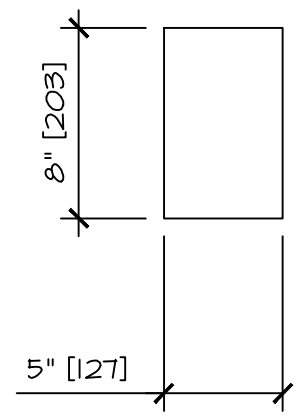
LINTEL 003



LINTEL 004



LINTEL 005



LINTEL 006

FILE UPDATED: JULY 12, 2011

SCALE:  
1 1/2" = 1'-0"

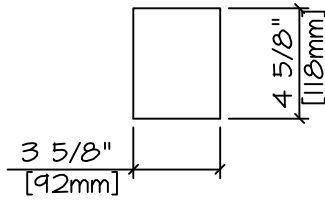
CUSTOM LINTEL

17  
A

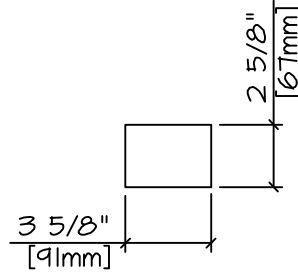
TRISTAR BRICK AND BLOCK

3A - 33790 INDUSTRIAL AVE., ABBOTSFORD B.C.

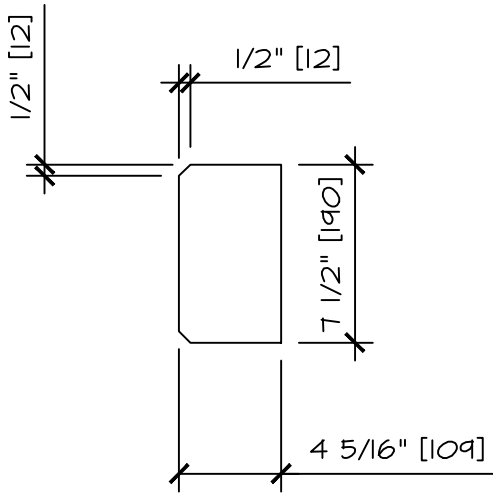
PH: (604) 859-3651 FX: (604) 859-3638



LINTEL 007



LINTEL 008



LINTEL 009

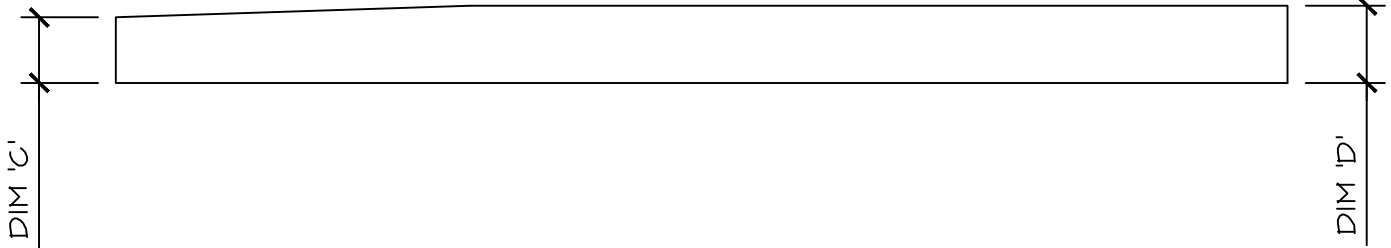
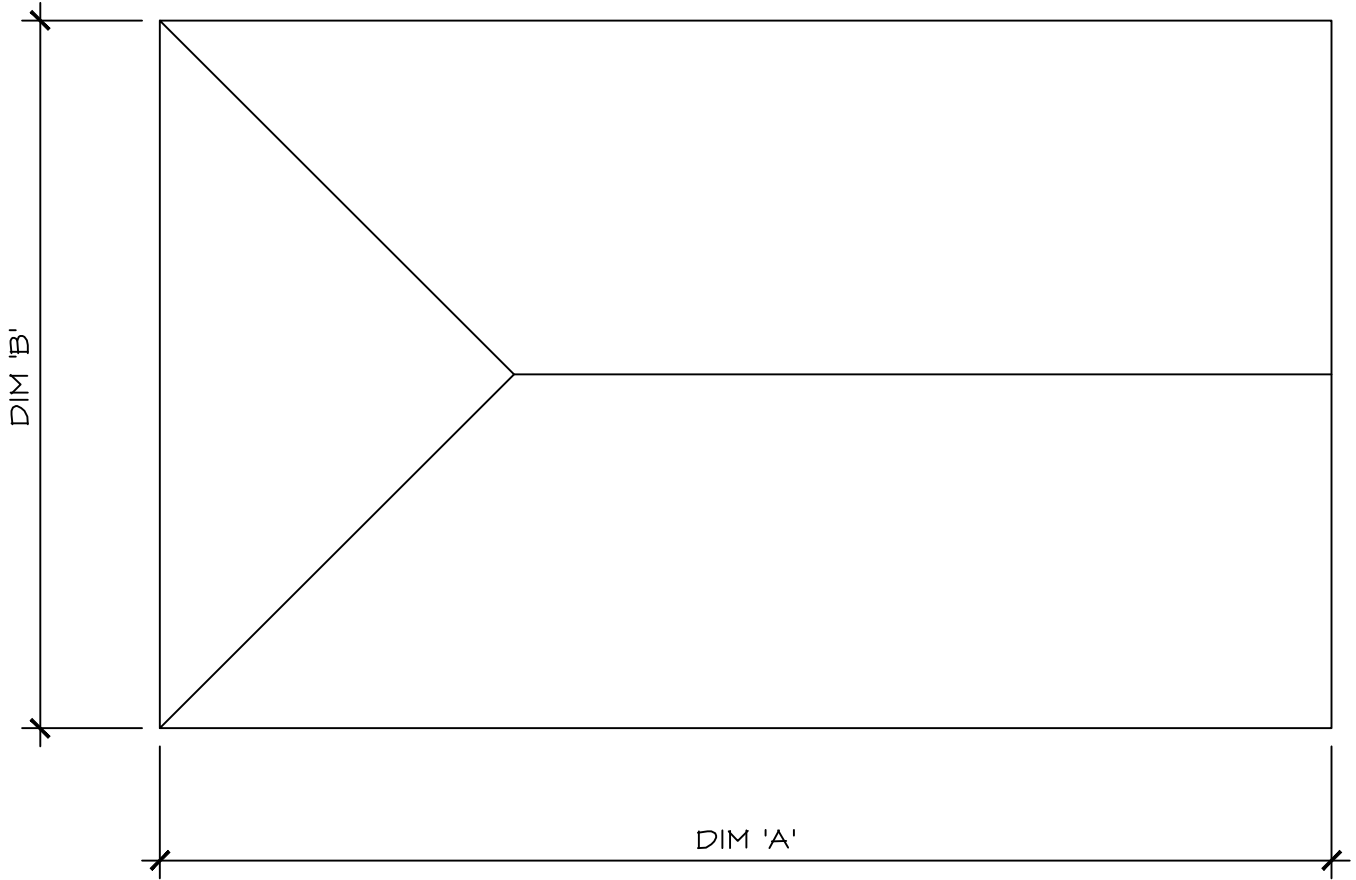
FILE UPDATED: JULY 12, 2011

SCALE:  
 $1 \frac{1}{2}'' = 1'-0''$

CUSTOM LINTEL

18  
A

TRISTAR BRICK AND BLOCK  
 3A - 33790 INDUSTRIAL AVE., ABBOTSFORD B.C.  
 PH: (604) 859-3651 FX: (604) 859-3638



POST CAP 001				
#	DIM 'A'	DIM 'B'	DIM 'C'	DIM 'D'
AA	29 3/4"	55"	2 3/4"	3 1/4"
BB	26 1/2"	62"	2"	3"
CC	24"	55"	2 3/4"	3"

FILE UPDATED: JULY 12, 2011

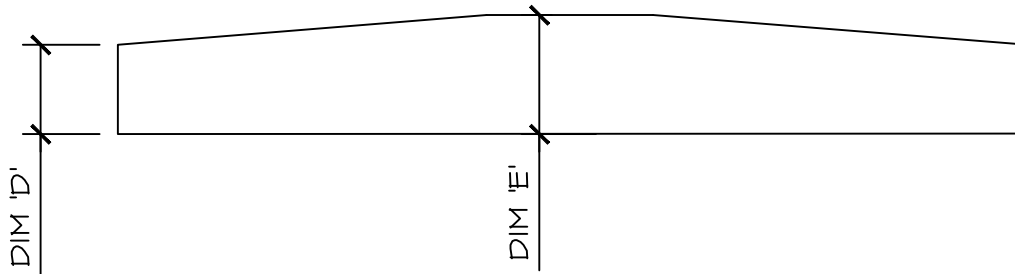
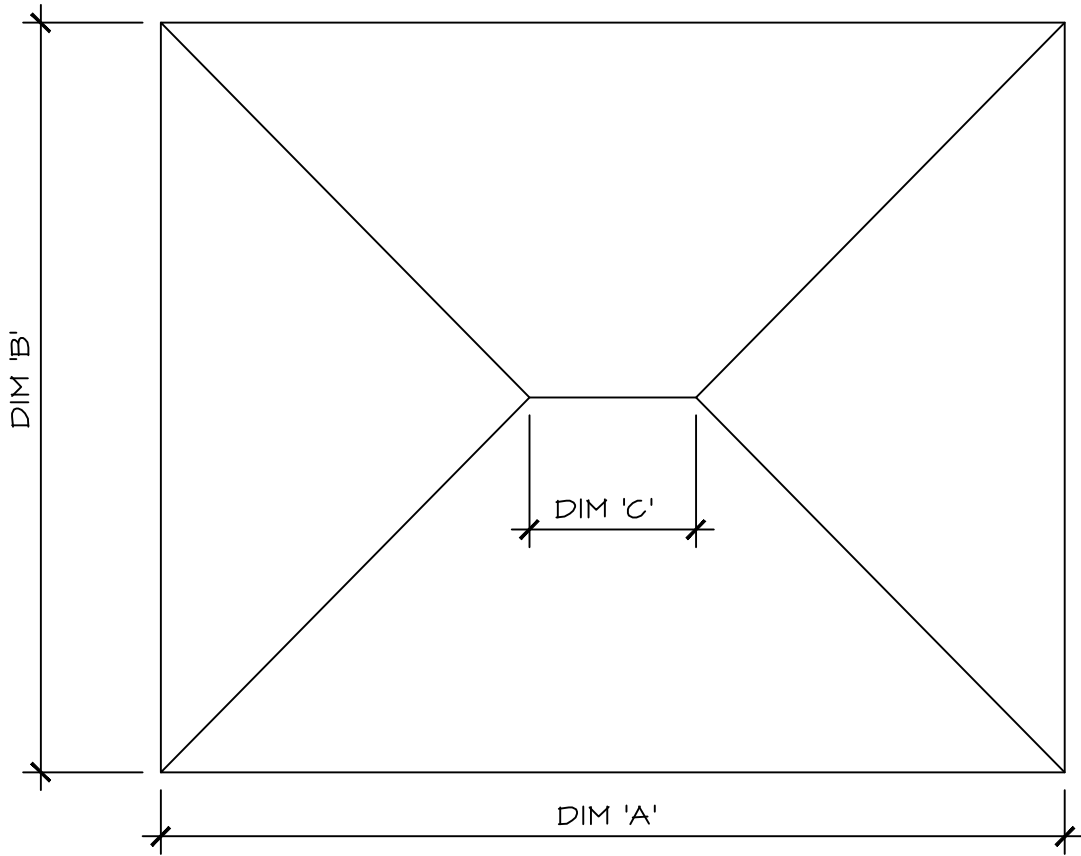
SCALE:  
 1/2" = 1'-0"

POST CAP

19

A

TRISTAR BRICK AND BLOCK  
 3A - 33790 INDUSTRIAL AVE., ABBOTSFORD B.C.  
 PH: (604) 859-3651 FX: (604) 859-3638



POST CAP 002					
#	DIM 'A'	DIM 'B'	DIM 'C'	DIM 'D'	DIM 'E'
AA	54 1/2"	18"	36"	4"	5"
BB	38"	31 1/2"	7"	3 3/4"	5"
CC	38"	18"	20 1/2"	4"	5"

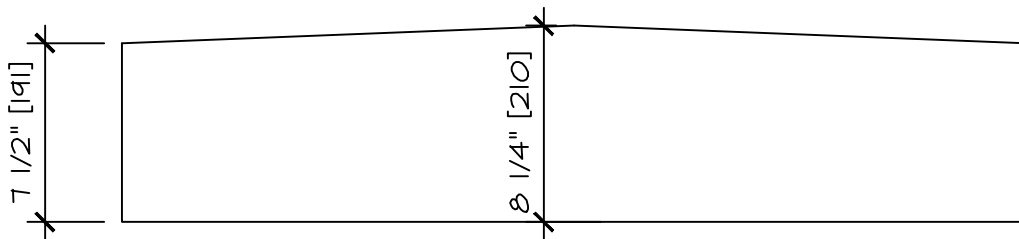
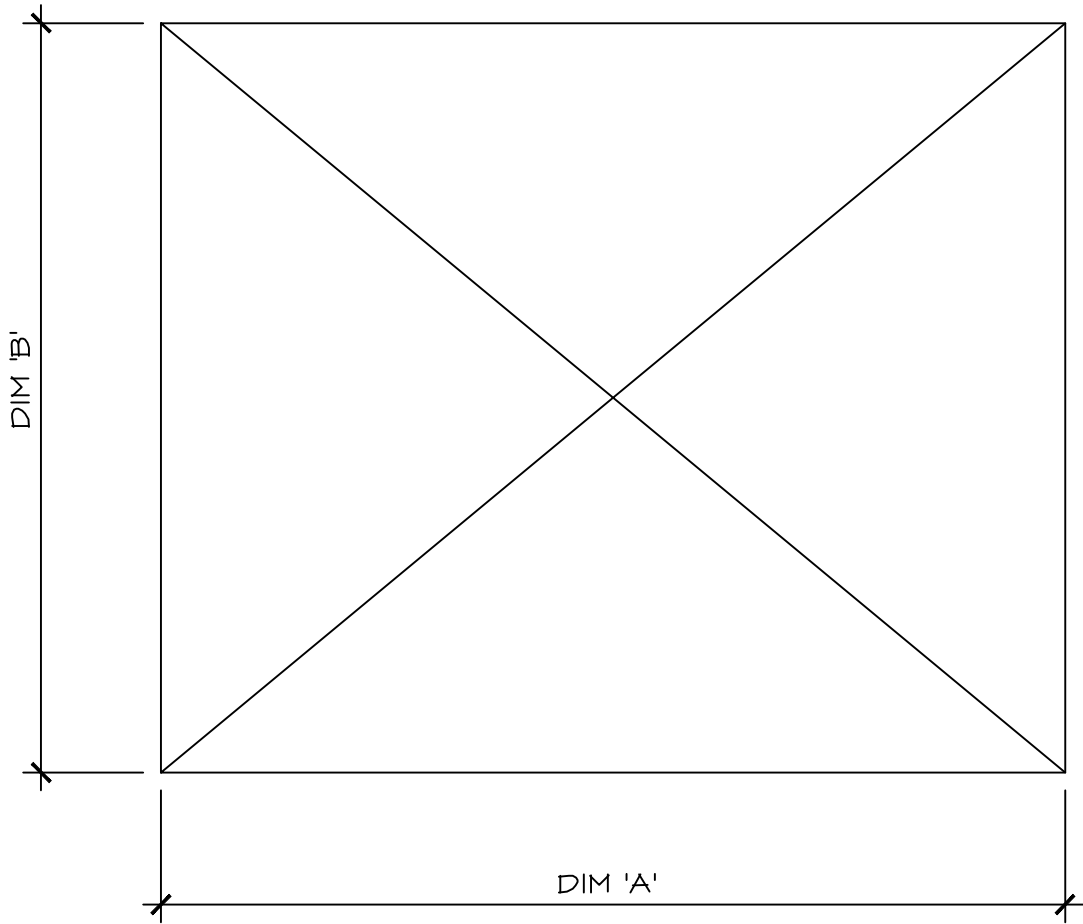
SCALE:  
 1 1/2" = 1'-0"

POST CAP

20  
 A

FILE UPDATED: JULY 12, 2011

TRISTAR BRICK AND BLOCK  
 3A - 33790 INDUSTRIAL AVE., ABBOTSFORD B.C.  
 PH: (604) 859-3651 FX: (604) 859-3638



POST CAP 003		
#	DIM 'A'	DIM 'B'
AA	48"	48"
BB	48"	40 1/4"
CC	40"	30"
DD	32"	48"

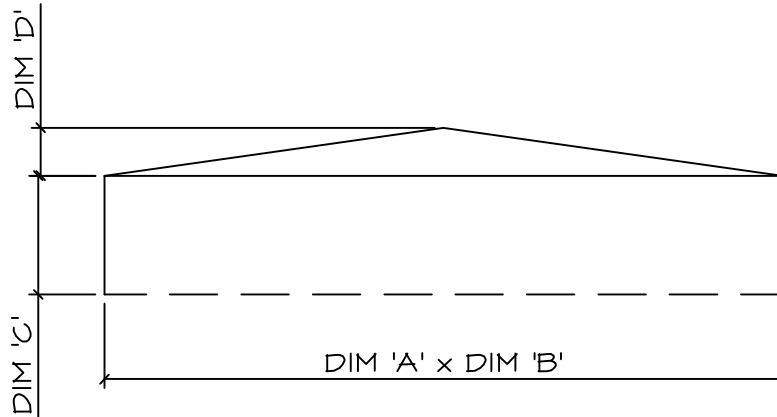
SCALE:  
 $1 \frac{1}{2}'' = 1'-0''$

POST CAP

21  
 A

FILE UPDATED: JULY 12, 2011

TRISTAR BRICK AND BLOCK  
 3A - 33790 INDUSTRIAL AVE., ABBOTSFORD B.C.  
 PH: (604) 859-3651 FX: (604) 859-3638



POST CAP 004				
#	DIM 'A'	DIM 'B'	DIM 'C'	DIM 'D'
AA	50"	50"	4 1/2"	2"
BB	28 1/2"	28 1/2"	5"	2"
CC	28"	28"	3"	1 3/4"
DD	27 3/4"	27 3/4"	2"	1"
EE	18"	18"	5"	2 3/4"
FF	16"	22"	4"	2"

1"  
 1"  
 1"  
 2"

FILE UPDATED: JULY 12, 2011

SCALE:  
 1 1/2" = 1'-0"

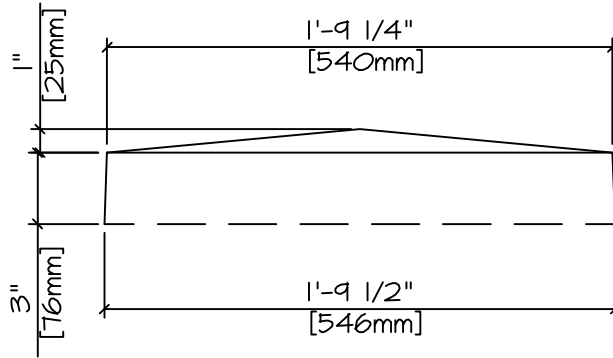
POST CAP

22  
 A

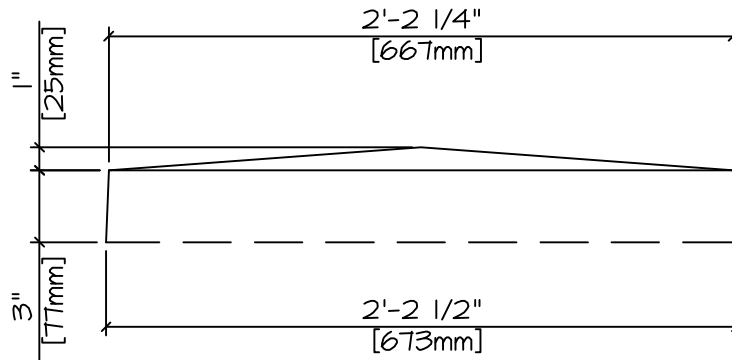
TRISTAR BRICK AND BLOCK

3A - 33790 INDUSTRIAL AVE., ABBOTSFORD B.C.

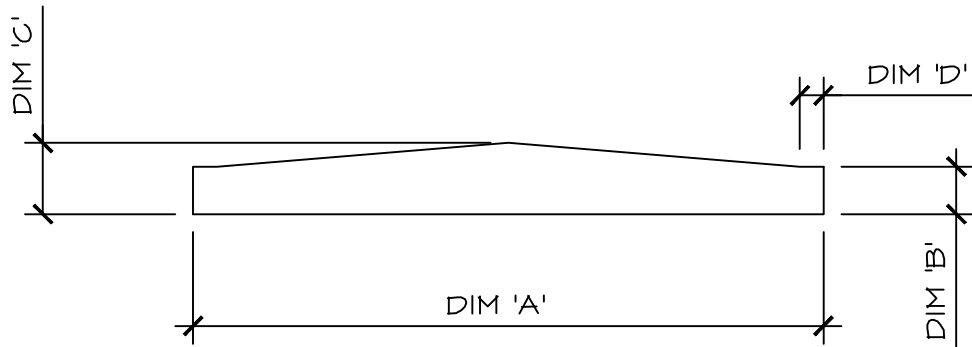
PH: (604) 859-3651 FX: (604) 859-3638



POST CAP 005



POST CAP 006



COPING 004				
#	DIM 'A'	DIM 'B'	DIM 'C'	DIM 'D'
AA	26 1/2"	2"	3"	1"
BB	25"	2"	3"	1"

FILE UPDATED: JULY 12, 2011

SCALE:  
1 1/2" = 1'-0"

POST CAP

23  
A