



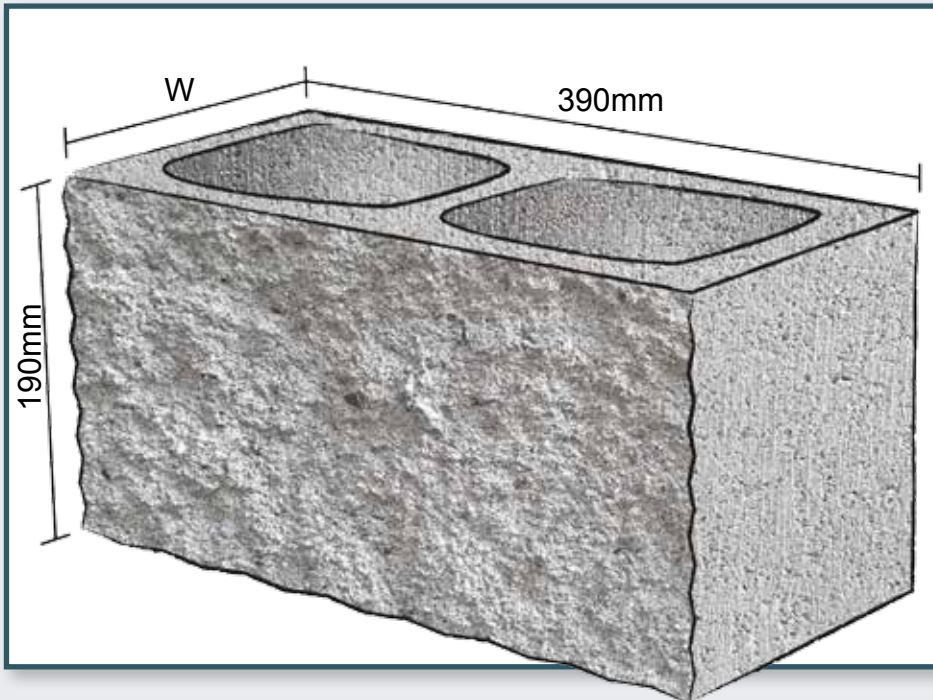
## ARCHITECTURAL SERIES



QUALITY IN CONCRETE MASONRY PRODUCTS

## Full Split-Face Block

Split-face masonry provides an aesthetically pleasing finish combined with structural integrity and durability.



### UNIT DATA

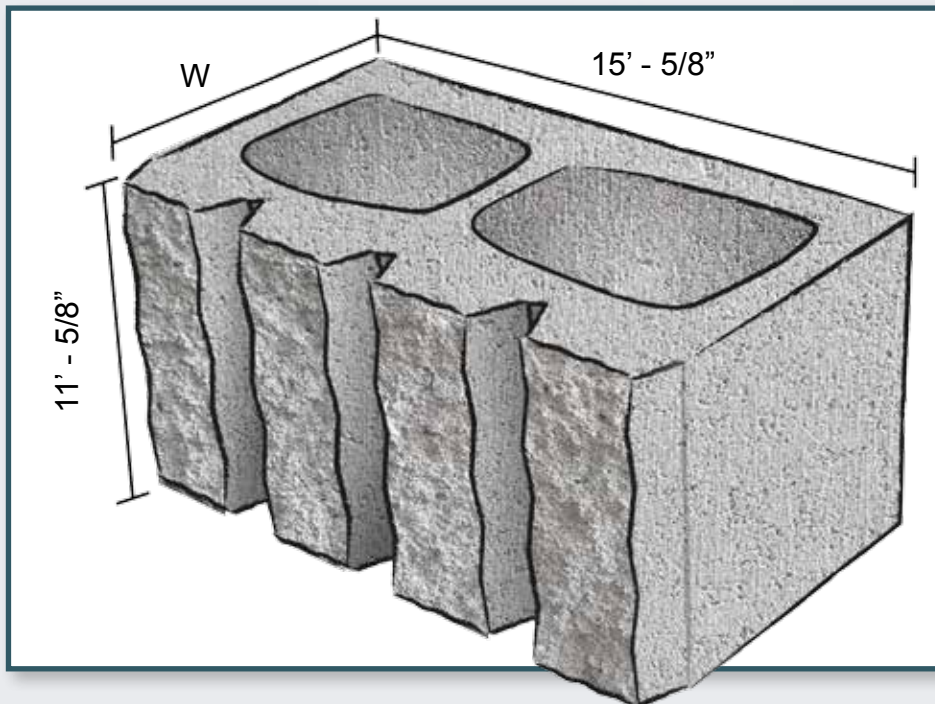
Nominal Width, mm	100	200	250	300
Unit Weight	27 lbs	41 lbs	47lbs	55 lbs
Pallet Quantity	132	90	75	60
Pallet Weight	3564 lbs	3690 lbs	3525 lbs	3300 lbs

**Manufactured As:** Double Ender, Half High, Half Block, Return Corner, Knock Out Bond Beam



## ***Full Split-Face 4 / 6 Rib Block***

Ribbed Blocks, in four or six flutes, accentuates texture and depth. The rugged relief of this split-face ribbed block works well as an accent to a smooth or split field.



### **UNIT DATA**

Nominal Width, inch	4"	8"	10"	12"
Unit Weight	34 lbs	46 lbs	60 lbs	72 lbs
Pallet Quantity	108	75	60	60
Pallet Weight	3456 lbs	3450 lbs	3600 lbs	4320 lbs

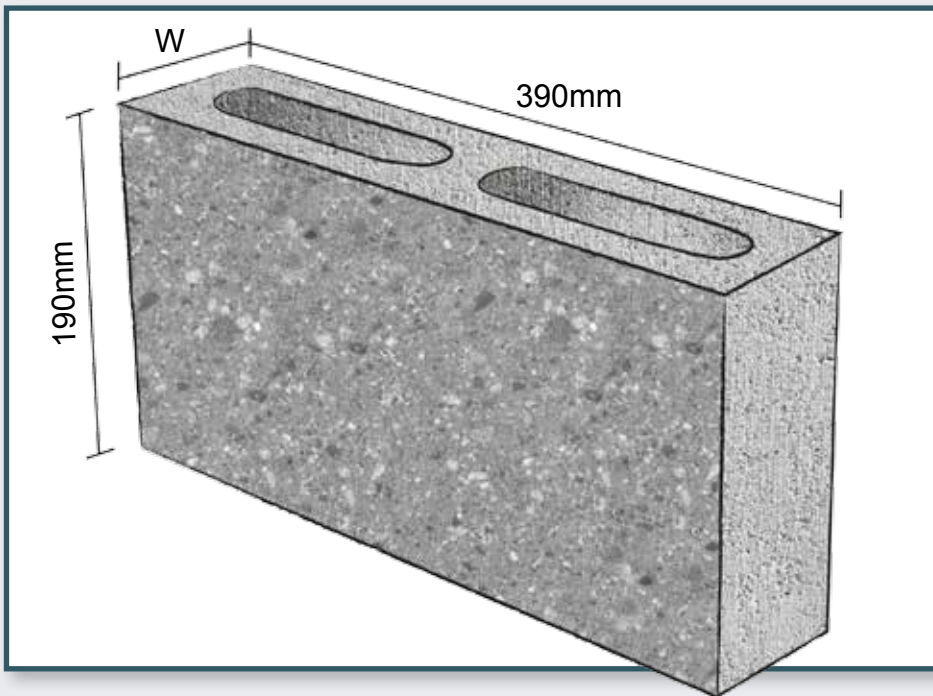
**Manufactured As:** Double Ender, Half High, Half Block, Knock Out Bond Beam

**Note:** Only available in imperial sizes.



## Ground Face Block

Our ground face block reveals the beauty of masonry by grinding and polishing the face of the block to expose the aggregate beneath, creating a unique look.



### UNIT DATA

Nominal Width, mm	100	150	200	250	300
Unit Weight	27 lbs	30 lbs	43 lbs	50 lbs	60 lbs
Pallet Quantity	132	120	90	75	60
Pallet Weight	3564 lbs	3600 lbs	3870 lbs	3750 lbs	3600 lbs

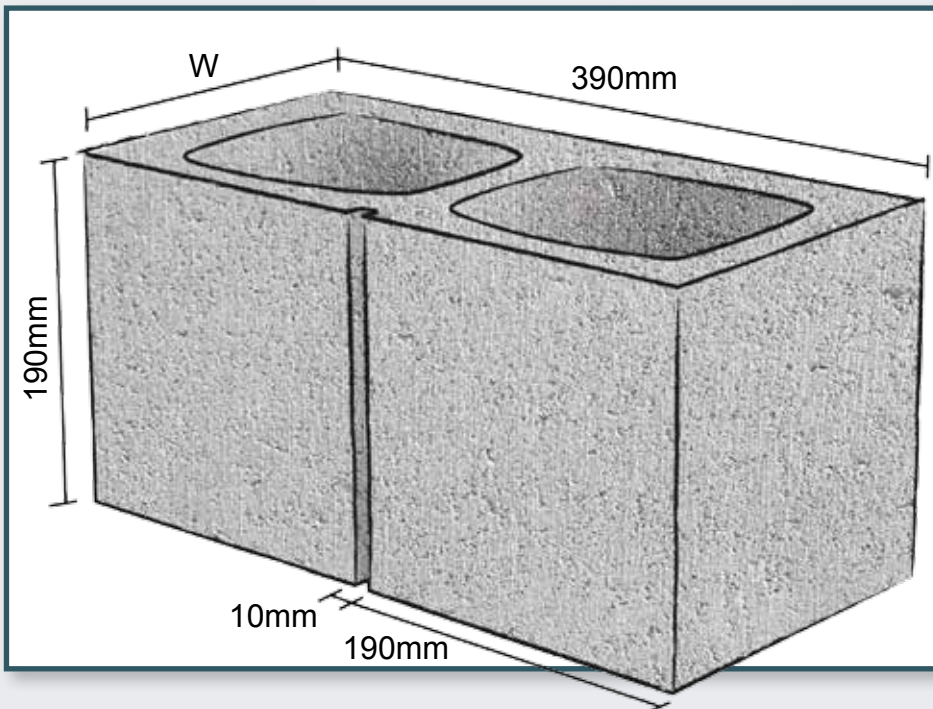
**Manufactured As:** Double Ender, Stretcher, Half High, Half Block, Return Corner, Knock Out Bond Beam

**Note:** Available in both metric and imperial sizes.



## Single / Triple Score Block

Scored block gives a higher detail look with no additional labour. The score is designed to resemble a raked mortar joint and gives the feel of quality craftsmanship.



### UNIT DATA

Nominal Width, mm	100	150	200	250	300
Unit Weight	26 lbs	30 lbs	40 lbs	48 lbs	56 lbs
Pallet Quantity	156	120	90	75	60
Pallet Weight	4056 lbs	3600 lbs	3600 lbs	3600 lbs	3360 lbs

**Note:** Available in both metric and imperial sizes.



**Ground Face Colour Palette**



**Sandstone**



**Tan**



**Charcoal**



**Light Buff**



**Natural**



**Rose Buff**

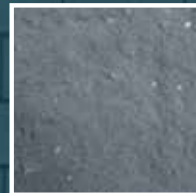
**Split Face Colour Palette**



**Sandstone**



**Tan**



**Charcoal**



**Light Buff**



**Natural**



**Rose Buff**

**Ground Face and Split Face Colours\***

Colours vary from run to run. Sample boards available upon request. Please check with your representative.

\* Colours of actual samples may not be exactly as shown.



**Get In Touch Today!**



**604-859-3651**



**www.TristarBlock.com**